

CT Series Capacitive Proximity Sensors

M30 (30mm) plastic – DC

CT1-00-2H



CT2-AP-1A



CT2-CP-2H



Pushbutton models

- NO/NC selectable
- Pushbutton teach
- LED status indicators
- IP65/IP67 rated
- M12 quick-disconnect; purchase cable separately
- Mounting accessories available



Potentiometer models

- NO or NC units available
- Potentiometer sensitivity adjustment
- LED status indicators
- IP65/IP67/IP69K rated
- 2m (6.56 ft) cable or M12 quick-disconnect; purchase cable separately
- Mounting accessories available

CT Series Capacitive Prox Selection Chart

Part Number	Price	Sensing Distance	Mounting	Output State	Logic	Connection	Wiring	Dimensions
Pushbutton select and teach								
CT1-00-2H	\$73.00	40 mm (1.58 in)	Non-flush	NO/NC	NPN/PNP	M12 (12mm) quick disconnect	Diagram 2	Figure 1
Potentiometer sensitivity adjustment								
CT2-AP-1A	\$55.50	15mm (0.59 in)	Flush	NO	PNP	2m (6.56 ft) cable	Diagram 1	Figure 2
CT2-AP-1H	\$55.50	15mm (0.59 in)	Flush	NO	PNP	M12 micro DC connector	Diagram 2	Figure 3
CT2-CP-1A	\$55.50	15mm (0.59 in)	Flush	NC	PNP	2m (6.56 ft) cable	Diagram 1	Figure 2
CT2-CP-1H	\$55.50	15mm (0.59 in)	Flush	NC	PNP	M12 micro DC connector	Diagram 2	Figure 3
CT2-AN-2A	\$55.50	25mm (0.98 in)	Non-flush	NO	NPN	2m (6.56 ft) cable	Diagram 1	Figure 2
CT2-AN-2H	\$55.50	25mm (0.98 in)	Non-flush	NO	NPN	M12 micro DC connector	Diagram 2	Figure 3
CT2-AP-2A	\$55.50	25mm (0.98 in)	Non-flush	NO	PNP	2m (6.56 ft) cable	Diagram 1	Figure 2
CT2-AP-2H	\$55.50	25mm (0.98 in)	Non-flush	NO	PNP	M12 micro DC connector	Diagram 2	Figure 3
CT2-CN-2A	\$55.50	25mm (0.98 in)	Non-flush	NC	NPN	2m (6.56 ft) cable	Diagram 1	Figure 2
CT2-CN-2H	\$55.50	25mm (0.98 in)	Non-flush	NC	NPN	M12 micro DC connector	Diagram 2	Figure 3
CT2-CP-2A	\$55.50	25mm (0.98 in)	Non-flush	NC	PNP	2m (6.56 ft) cable	Diagram 1	Figure 2
CT2-CP-2H	\$55.50	25mm (0.98 in)	Non-flush	NC	PNP	M12 micro DC connector	Diagram 2	Figure 3

CT Series Capacitive Proximity Sensors

CT Series Specifications	CT1-00-2H	CT2-xx-xx	
Mounting Type	Non-flush	Flush	Non-flush
Nominal Sensing Distance	40mm (1.58 in)	15mm (0.59 in)	25mm (0.98 in)
Sensitivity	Push to teach	Potentiometer	
Operating Distance	NA		
Material Correction Factors	NA		
Output Type	NPN/PNP; NO/NC		
Operating Voltage	10 to 36VDC	10 to 30VDC	
No-load Supply Current	< 20mA	< 22mA	
Operating (Load) Current	200mA		
Off-state (Leakage) Current	NA		
Voltage Drop	< 2.5 VDC		
Switching Frequency	10Hz	40Hz	
Differential Travel (% of Nominal Distance)	NA		
Repeat Accuracy	NA		
Ripple	NA		
Time Delay Before Availability (tv)	NA		
Reverse Polarity Protection	Yes		
Short-circuit Protection	Yes, pulsed		
Operating Temperature	-25° to 80°C (-13° to 176°F) Sensing face: -25° to 110°C (-13° to 230°F)		
Protection Degree (DIN 40050)	IEC IP65/IP67	IEC IP65/IP67/IP69K	
Indication/Switch Status	Yellow (output energized)		
Housing Material	Polybutylene terephthalate (PBT)		
Sensing Face Material	Polybutylene terephthalate (PBT)		
Shock/Vibration	DIN EN 60947-5-2		
Tightening Torque	8.0 N•m (5.9 lb•ft)		
Weight	117g (4.13 oz)	96.7 g (3.41 oz)	
Connectors	M12 connector, 2 lock nuts included		
Agency Approvals	cULus file E328811, CE		

CT Series Capacitive Proximity Sensors

Wiring diagrams

Diagram 1

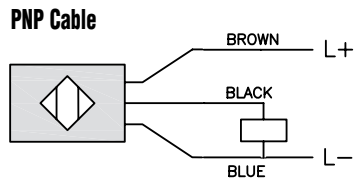
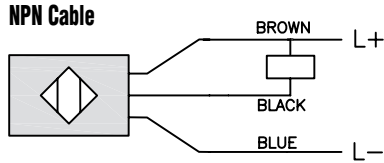
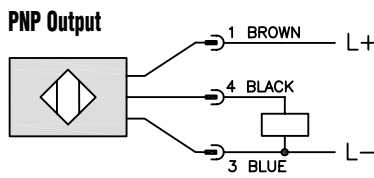
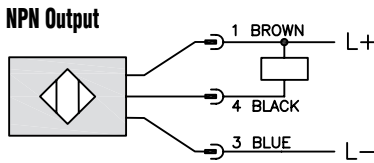
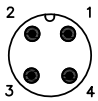


Diagram 2



Connector



M12 connector

CT Series Capacitive Proximity Sensors

Dimensions

mm [inches]

Figure 1

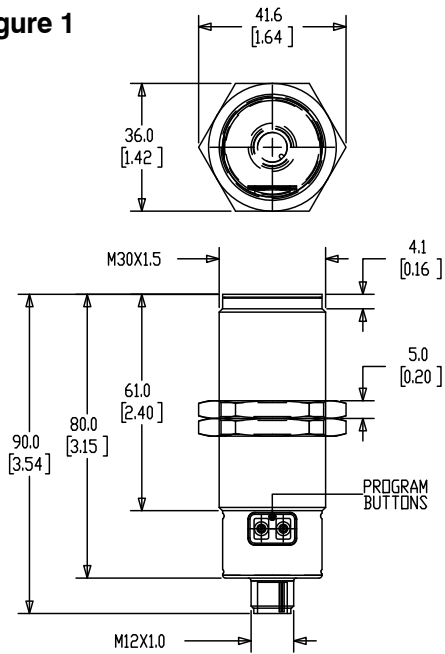
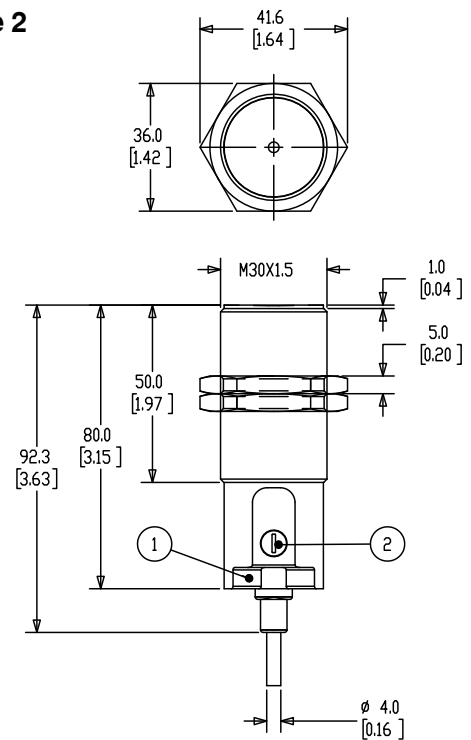
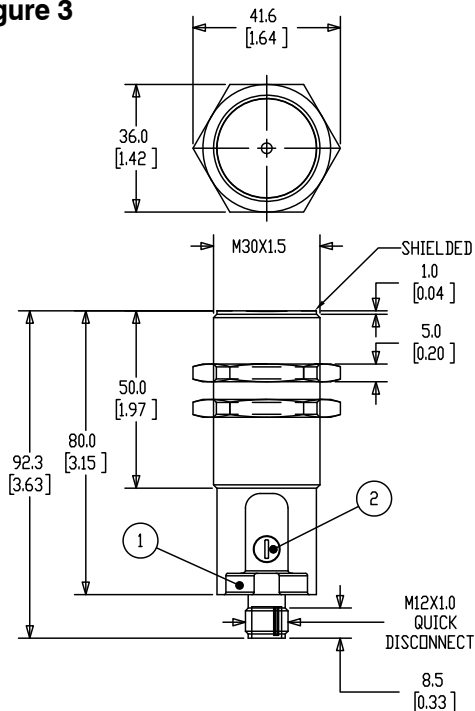


Figure 2



1 = LED YELLOW SWITCHING STATUS
2 = POTENTIOMETER SENSING RANGE

Figure 3



1 = LED YELLOW SWITCHING STATUS
2 = POTENTIOMETER SENSING RANGE

See our website: www.AutomationDirect.com for complete engineering drawings

Capacitive Proximity Sensors - Accessories



Mounting Well

Mounting Adapter

Capacitive Proximity Sensors Accessory Chart				
Part Number	Price	Description	Material	Dimensions
Mounting Adapter				
CR1-ADPTR	\$4.00	Adapter for CR1 series capacitive sensors	Housing: Polybutylene Terephthalate (PBT) Included Screws: M3 x 6 Steel (0.5 N•m [0.37 lb•ft])	Figure 1
Mounting Wells				
MWT-01	\$45.50	30mm (1.18 in) sensor mounting well	PTFE - Polytetrafluoroethylene (Teflon®) Temp: -25° to 246°C (-13° to 474.8°F) Max. pressure: 100 PSI (6.9 bar)	Figure 2
MWK-01	\$37.00	18mm (0.71 in) sensor mounting well		Figure 3

Dimensions

mm [inches]

Figure 1

CR1 Adapter

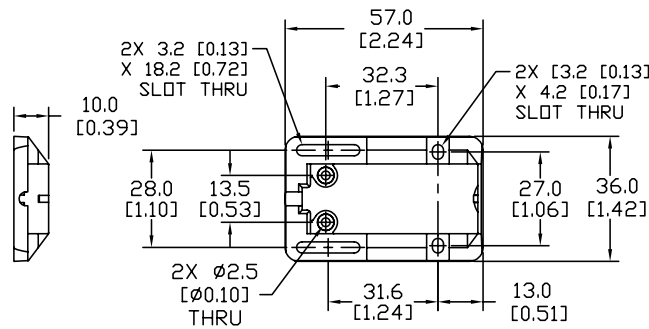


Figure 2

30mm Sensor Mounting Well

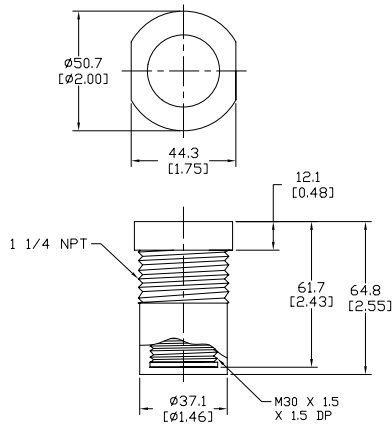
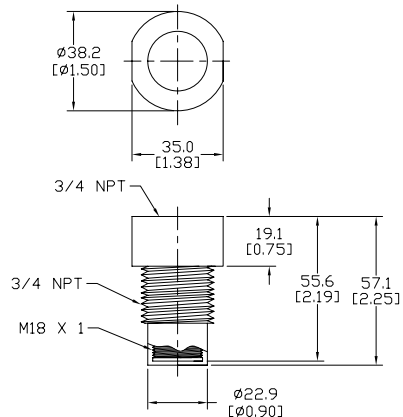


Figure 3

18mm Sensor Mounting Well



See our website: www.AutomationDirect.com for complete engineering drawings

Accessories for 30mm Sensors

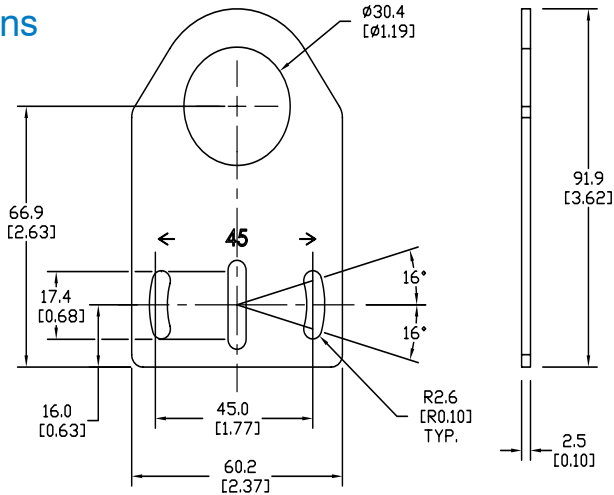
Axial Mounting Bracket

Mounting bracket, axial, zinc-plated steel. For use with 30mm sensors. Has two mounting holes (use 5mm screws) and allows the rotation of an optical axis for right-beam-angle-adaptor sensors. Hexagonal nuts not included.

Accessories for 30mm Sensors			
Part Number	Price	Description	Weight lb (g)
ST30A	\$2.25	Mounting bracket, axial, zinc-plated steel. For use with 30mm sensors. 1/pk.	0.18 (81.7 g)

Dimensions

mm [inches]



ST30A

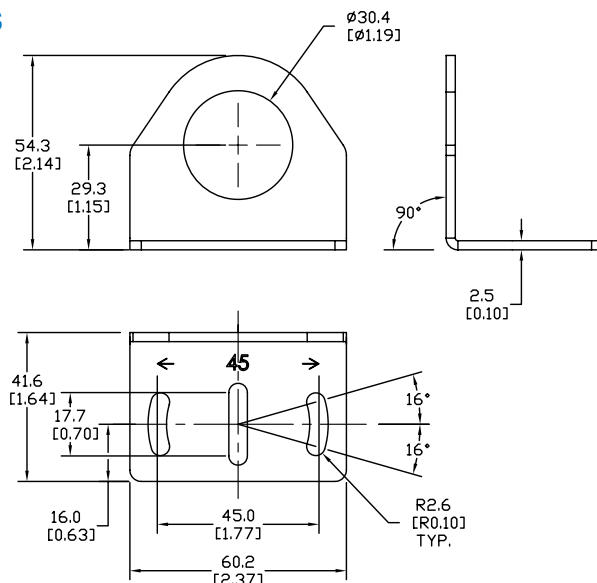
Right-angle Mounting Bracket

Mounting bracket, right-angle, zinc-plated steel. For use with 30mm sensors. Has two mounting holes (use 5mm screws) and allows the rotation of an optical axis for axial sensors. Hexagonal nuts not included.

Accessories for 30mm Sensors			
Part Number	Price	Description	Weight lb (g)
ST30C	\$2.25	Mounting bracket, right angle, zinc-plated steel. For use with 30mm sensors. 1/pk.	0.18 (81.7 g)

Dimensions

mm [inches]



ST30C

See our website: www.AutomationDirect.com for complete engineering drawings

Accessories for 30mm Sensors

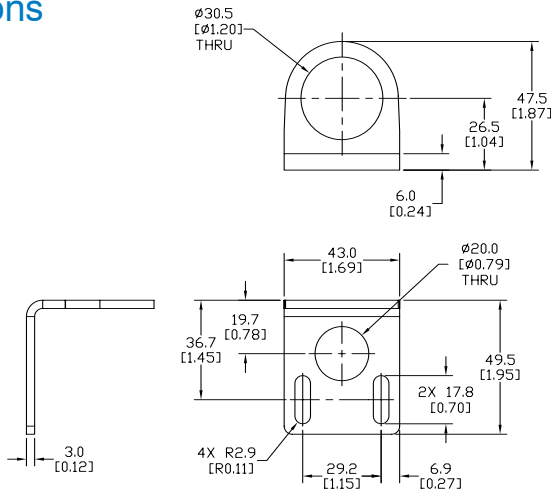
Right-angle Mounting Bracket

Mounting bracket, right-angle, 304 stainless steel. For use with 30mm sensors.

Accessories for FW Series Sensors			
Part Number	Price	Description	Weight lb (g)
ST30C6W	\$3.50	Mounting bracket, right angle, 304 stainless steel. For use with 30mm sensors.	0.15 (68.0)

Dimensions

mm [inches]



ST30C6W

Right-angle Swivel Mounting Systems

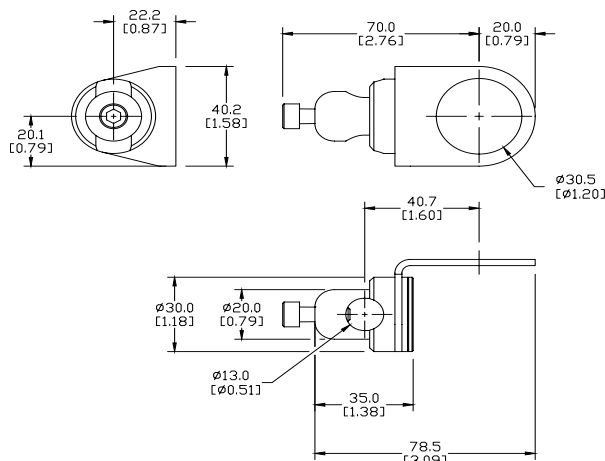
Mounting bracket, right-angle swivel, 360 degree vertical and horizontal adjustment, 12mm rod mount. For use with 30mm sensors. Available in all 304 stainless steel or with an aluminum head with a 304 stainless steel mounting plate.

Accessories for 30mm Sensors					
Part Number	Price	Description	Mounting Head	Mounting Plate	Weight lb (g)
OPT2118	\$9.50	Mounting bracket, right-angle swivel, 360 vertical and horizontal adjustment, aluminum, 12mm rod mount. For use with 30mm sensors.	Aluminum	304 Stainless steel	0.18
OPT2119	\$17.00	Mounting bracket, right-angle swivel, 360 vertical and horizontal adjustment, 304 stainless steel, 12mm rod mount. For use with 30mm sensors.	304 Stainless Steel	304 Stainless steel	0.30

Note: 304 Stainless steel mounting rods sold separately: OPT2109 (200mm [7.87 in] length), OPT2110 (300mm [11.81 in] length), and OPT2111 (500mm [19.69 in] length).

Dimensions

mm [inches]



OPT2118, OPT2119

See our website: www.AutomationDirect.com for complete engineering drawings

Mounting Rods

Mounting Rods

304 Stainless steel rods for mounting swivel brackets OPT2112 - OPT2127. Available in three lengths: 200mm, 300mm, and 500mm. 12mm diameter.

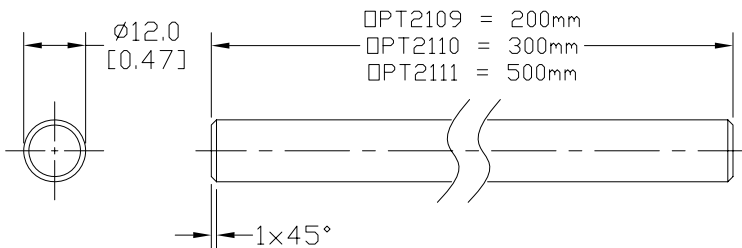
Mounting Rods for OPT2112-2127 Swivel Mounting Brackets			
Part Number	Price	Description	Weight lb (g)
OPT2109	\$10.50	Mounting rod, 12mm diameter, 200mm length, 304 stainless steel.	0.41 (185.97)
OPT2110	\$13.00	Mounting rod, 12mm diameter, 300mm length, 304 stainless steel.	0.60 (272.16)
OPT2111	\$17.00	Mounting rod, 12mm diameter, 500mm length, 304 stainless steel.	0.98 (444.52)



OPT2109, OPT2110, OPT2111

Dimensions

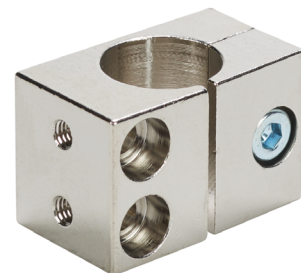
mm [inches]



Right-angle Mounting Bracket

Mounting bracket, right-angle, nickel-plated brass. For use with 12mm mounting rods OPT2109, OPT2110 & OPT2111.

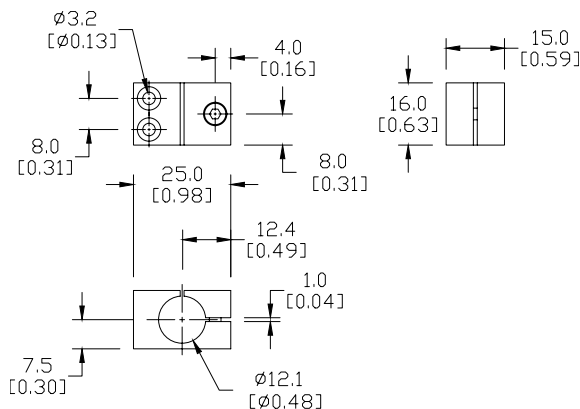
Accessories for 12mm Sensors			
Part Number	Price	Description	Weight lb (g)
OPT2108	\$13.00	Mounting bracket, right-angle, nickel-plated brass. For use with 12mm mounting rods OPT2109, OPT2110 & OPT2111.	0.07 (31.8)



OPT2108

Dimensions

mm [inches]



See our website: www.AutomationDirect.com for complete engineering drawings